

TYPHOON®

DOUBLE CHAMBER AIR RELEASE VALVE

+Technical Specifications





We Care Every Drop of Water...

That is why our company, which has been developing products in the field of water systems for over 20 years, offers increasingly efficient solutions every day. With our expertise and experience, we continue to develop innovative technologies for the proper control and sustainable use of water.

OUR PRODUCTION CAPACITY IS INCREASING!
OUR GOALS ARE BIGGER!

We have been wherever there is water since 2004.

Founded in Izmir by Tayfun Yazarođlu, TAYFUR WATER SYSTEMS set out with the belief that water is the source of life. Beginning with the production of hydraulic control valves, this journey has now transformed into a strong and reliable brand offering innovative solutions across a wide range of areas, including irrigation, drinking water, firefighting and industrial systems.

In every project, while determining the direction of water, we are also shaping the sustainable infrastructure of the future. From production to project design, from installation to technical support, we work without compromising on high quality standards, with our state-of-the-art facilities and expert team. We aim to offer our customers not just products, but also trust, continuity and technical excellence.

TYPHOON branded products are developed entirely with our own production capabilities and local engineering expertise. These products stand out not only for their durability, but also for our philosophy of preserving the value of every drop. Thanks to our production processes that comply with international standards and our customer satisfaction-focused approach, we are proud to be recognised as a reliable business partner both domestically and globally.

Today, TAYFUR WATER SYSTEMS, a brand with roots in Izmir, continues on its path with the vision of being a symbol of quality, innovation, and trust wherever water is present.





Agricultural Irrigation Systems

The foundation of efficient agricultural production lies in delivering water at the right time, in the right quantity, and to the right location. Modern agricultural irrigation systems ensure both the efficient use of water resources and an increase in product quality and yield. The solutions developed in this context enable farmers to achieve a sustainable production structure independent of climatic conditions.

At TAYFUR WATER SYSTEMS, with our many years of engineering experience in the field of agricultural irrigation, we manufacture critical components such as hydraulic control valves, suction valves, backwash valves and meters to high quality standards. Each of our products saves energy by increasing the automation capabilities of the systems, prevents water wastage and minimises maintenance requirements. Thus, we offer reliable and long-lasting solutions for both small-scale businesses and large agricultural projects.

The products we develop are designed in accordance with international standards and tested to deliver maximum performance in challenging field conditions. At TAYFUR WATER SYSTEMS, our goal is to provide smart, durable, and sustainable systems for producers who value every drop. Because we believe that by determining the direction of water, we are shaping the future of agriculture.



Industrial Area Systems

Proper water management in industrial facilities is critical to the efficiency and sustainability of production processes. Every application, from pressurised lines to cooling circuits, fire systems to process lines, requires precise control and high durability. Therefore, the performance of equipment used in industrial systems is directly related to facility safety and operational continuity.

At TAYFUR WATER SYSTEMS, we manufacture products that play a critical role in industrial applications, such as hydraulic control valves, backwash valves, vacuum breakers, and meters, to high engineering standards. Our products adapt to harsh working conditions with their high pressure resistance, corrosion resistance, and long service life. By providing complete control over fluid management, they increase energy efficiency in systems and minimise maintenance times.

Designed to comply with international standards, our solutions are trusted across a wide range of applications, from factories to power plants, water treatment facilities to infrastructure projects. At TAYFUR WATER SYSTEMS, our goal is to make industrial water management smarter, safer and more sustainable, providing our customers with the assurance of uninterrupted operations.



Fire Systems

Fire safety is one of the most vital elements of every structure, from industrial facilities to public buildings, infrastructure projects to living spaces. The reliability of the equipment used in these systems is critical not only for the protection of the facility but also for the protection of human life.

As TAYFUR WATER SYSTEMS, we are a company specialising in the production of hydraulic control valves to ensure maximum safety in fire lines. Our products are designed to guarantee the fast, reliable and uninterrupted operation of fire systems. These valves, which stand out for their high pressure resistance, leak-proof performance and long service life, are tested in accordance with international standards and offered with quality assurance.

With our advanced engineering infrastructure and production experience, we produce solutions that can be used safely in various applications, from automatic sprinkler systems to fire pump stations. At TAYFUR WATER SYSTEMS, our goal is not just to manufacture products; it is to be part of systems that make a difference in fire safety, inspire confidence, and protect life.



Filter Automation

Water is a vital resource that must be managed with maximum efficiency during the filtration stage, as it is in many industrial and agricultural processes. Proper automation in filtration systems is critical in terms of energy savings, ease of maintenance, and system continuity. An effective filter automation system determines not only the quality of the water but also the lifespan and efficiency of the entire system.

At TAYFUR WATER SYSTEMS, we offer comprehensive solutions in the field of filter automation. Our products, such as hydraulic control valves, backwash valves and panels, bottom valves, and dirt traps, ensure precise flow management in automatic filter systems. Our products optimise the water filtration process while performing backwashing operations precisely and efficiently. This reduces the risk of clogging in systems, prevents energy losses, and extends maintenance intervals.

All our products stand out with their durable material construction, precise control capability, and long-lasting design. At TAYFUR WATER SYSTEMS, our goal is to provide our customers with smart, reliable, and sustainable automation solutions by maximising efficiency in filtration processes. Because we believe that water purity begins with system safety.

Cast Air Release Valves

Double Chamber Air Release Valve



Double-Orifice Cast Iron Air Release Valves are high-performance air release valves designed to safely perform both air evacuation and suction operations in water pipelines. Their durable cast iron body ensures long-lasting use and excellent sealing in high-pressure systems.

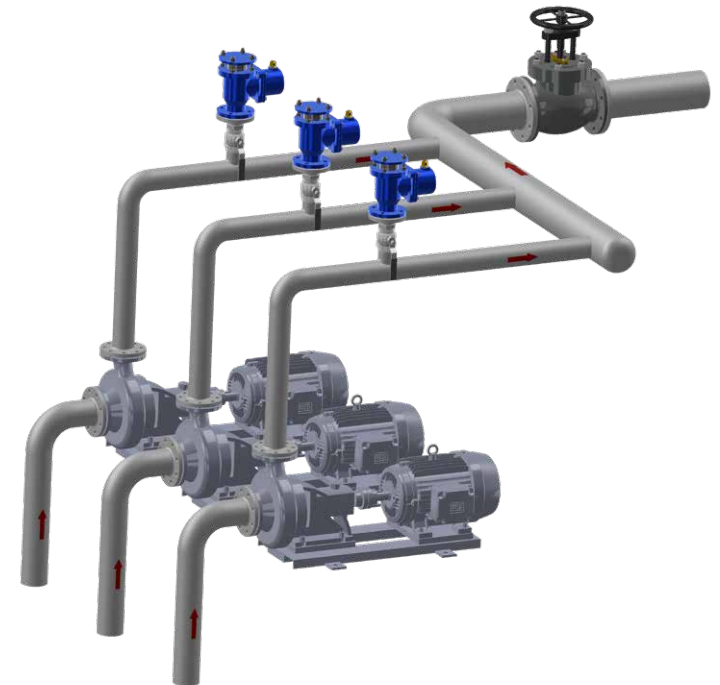
These air release valves quickly release air during the initial pipeline filling, automatically expel small air bubbles that accumulate during operation, and prevent system damage by preventing vacuum buildup during line evacuation. This reduces the risk of cavitation and maintains hydraulic stability in the system.

The double-orifice design provides uninterrupted performance during discharge and suction operations, while its impact-free operation minimizes vibration and noise. Safely used in agricultural irrigation systems, drinking water networks, industrial facilities, and water treatment applications, Double-Orifice Cast Iron Air Release Valves offer a professional solution that ensures long life, high efficiency, and system reliability.

Order Information

Please provide the following information in case of order

- Maximum network/operating pressure : bar
- Main pipeline diameter : mm
- Valve connection type

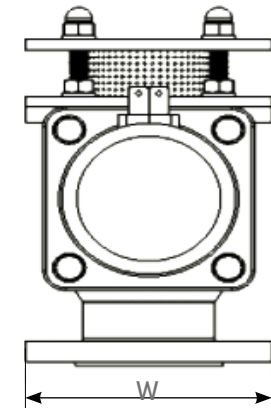
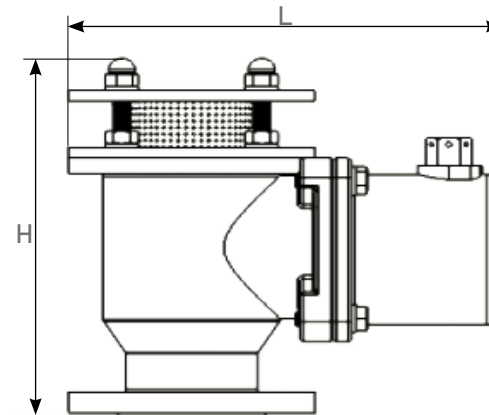
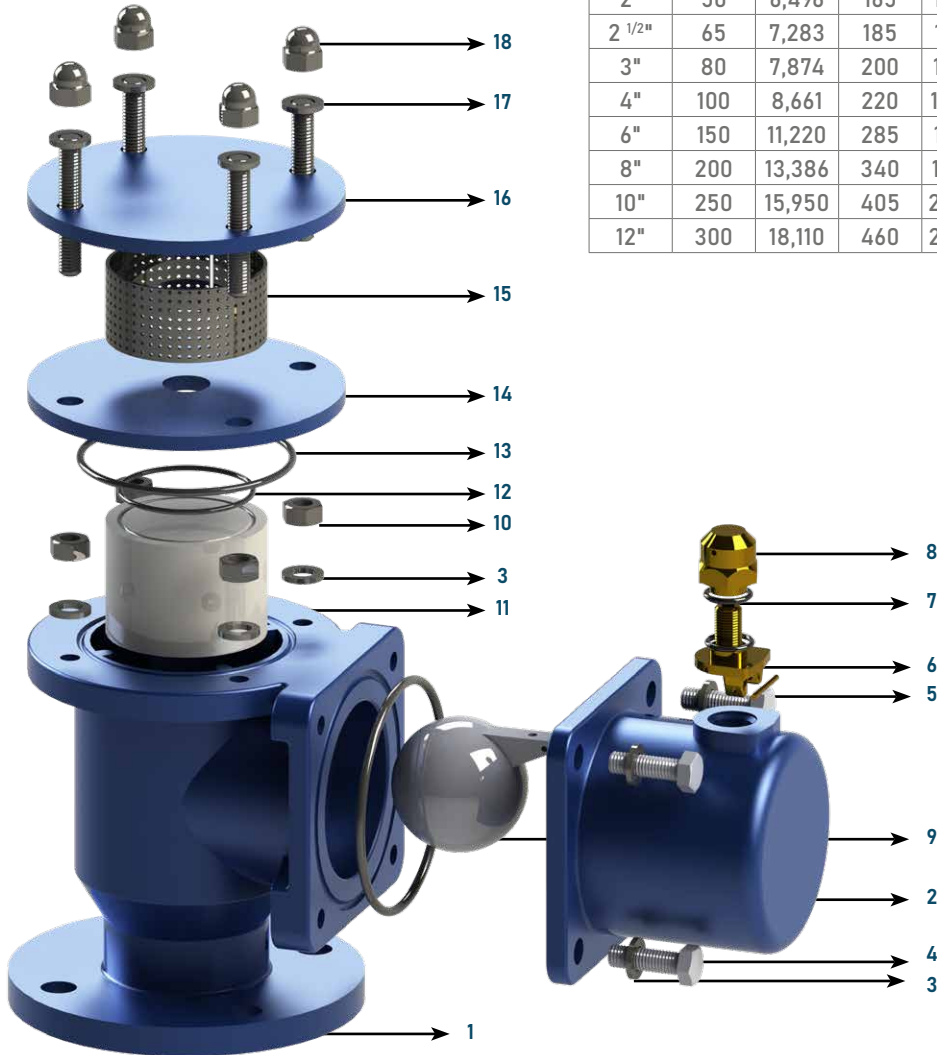


Dimensions and Weights

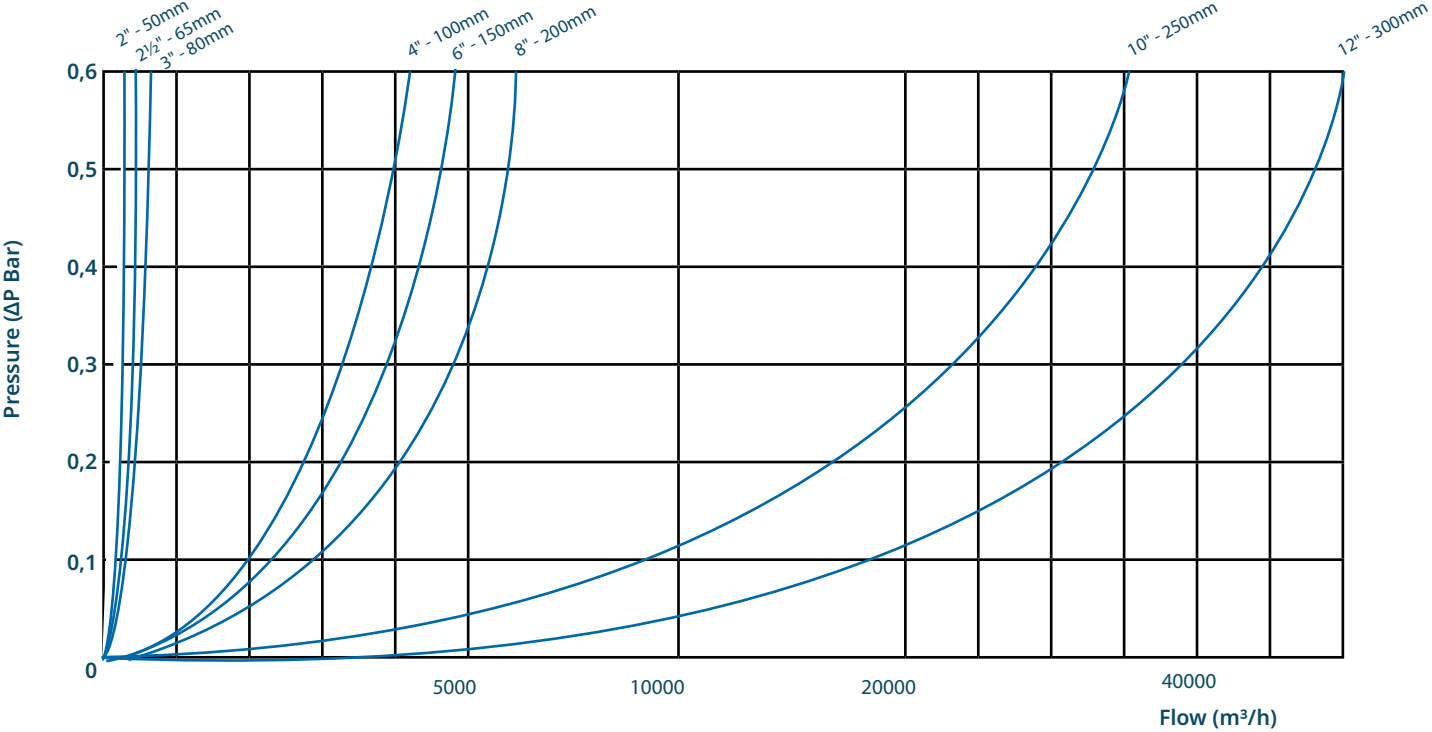
DN		W		L		H		Weight	
inch	mm	inch	mm	inch	mm	inch	mm	lbs	Kg
2"	50	6,496	165	11,378	289	11,06	281	31,90	14,5
2 1/2"	65	7,283	185	11,772	299	11,06	281	33,44	15,2
3"	80	7,874	200	13,150	334	13,31	338	57,64	26,2
4"	100	8,661	220	13,543	344	13,31	338	60,72	27,6
6"	150	11,220	285	16,102	409	15,20	386	83,60	38,0
8"	200	13,386	340	18,267	464	15,20	386	121,00	55,0
10"	250	15,950	405	22,440	570	26,97	685	286,60	130,0
12"	300	18,110	460	23,820	605	23,23	590	440,90	200,0

Main Components

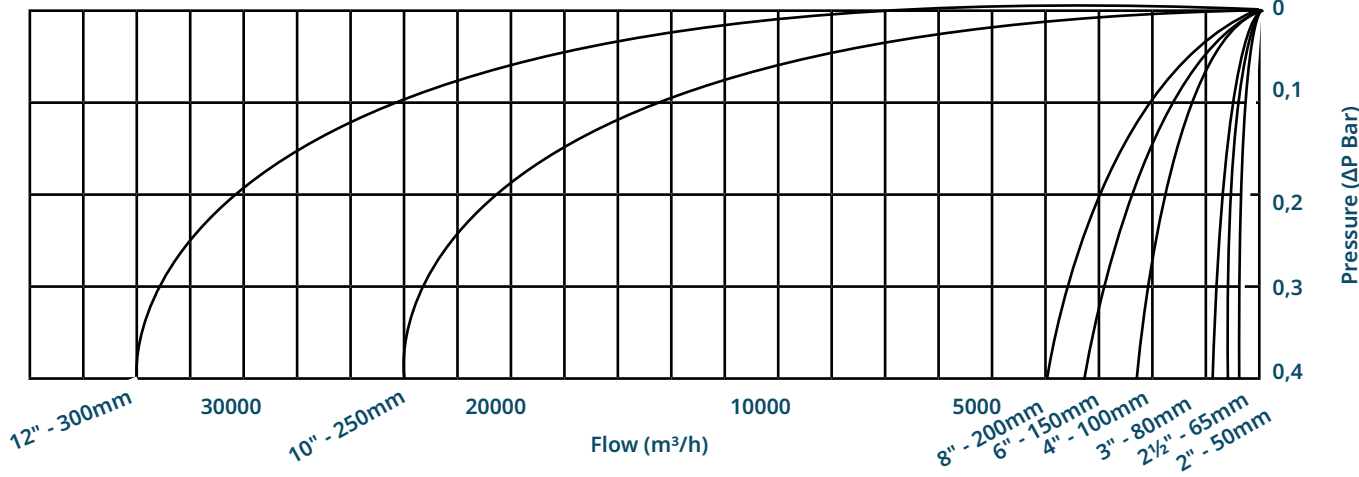
#	Material Name	Material Type
1	Body	GGG40
2	Side Cover	GGG40
3	Washer	Stainless Steel
4	Nut	Stainless Steel
5	Floator Pin	Brass
6	Orifice	Brass
7	Sealing Element	EPDM
8	Orifice Cover	Brass
9	Floator Ball	PE-ABS-PC
10	Nut	Stainless Steel
11	Floator	Polyethylene 6
12	O-Ring	NBR
13	O-Ring	NBR
14	Bottom Sheet	ST37
15	Filter	AIS 302
16	Top Sheet	ST37
17	Drop Bolt	Stainless Steel
18	Blind Nut	Stainless Steel



Nominal Air Release Capacity of Non-Pulse Dynamic Air Release Valve



Nominal Air Intake Capacity of Non-Pulse Dynamic Air Relief Valve



Trade Fairs





Kemalpaşa OSB Mahallesi Kuzey Sanayi Caddesi
Dış Kapı No:13
Kemalpaşa / İzmir

+90 232 458 49 99

+90 232 458 57 67

TYPHOON®

www.tayfursu.com.tr | info@tayfursu.com.tr

Her
Fabrika
Bir
Kaledir*

H. Atatürk



* Every factory is a fortress